

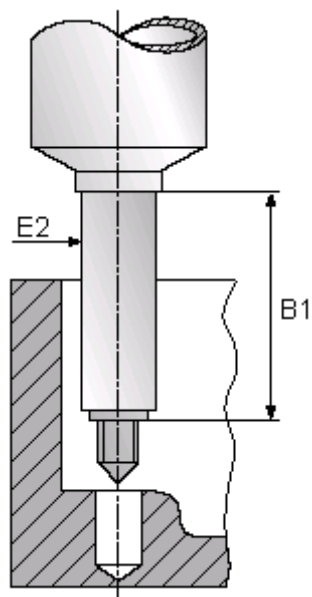
Data Sheet



Article number: 12621000080000

Description: Industrial tool 621 000 080.000
For M8

Measures



B1 = 50

E2 = 12

For thread = M8